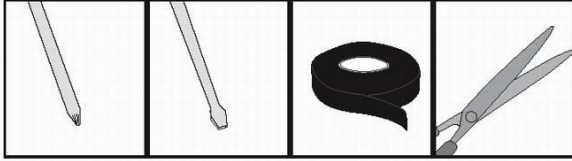


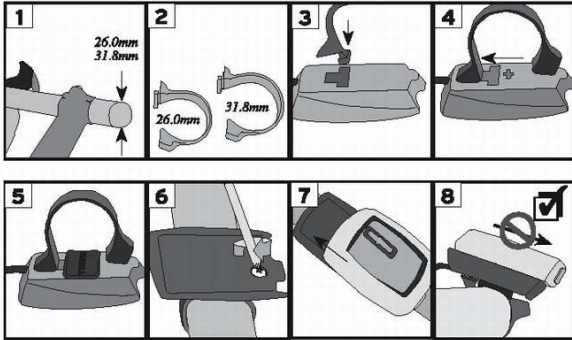
**Computer Installation- Trek 61, 81, 91, 111**

**TOOLS**

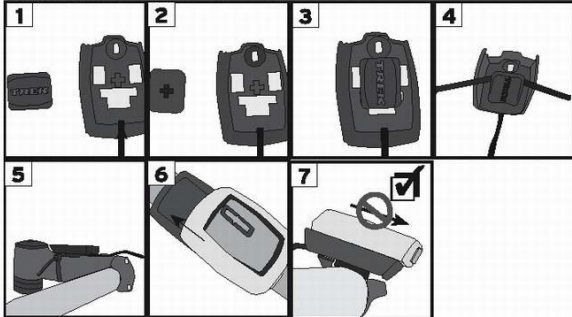


© Copyright Trek Bicycle Corporation 2004  
All rights reserved

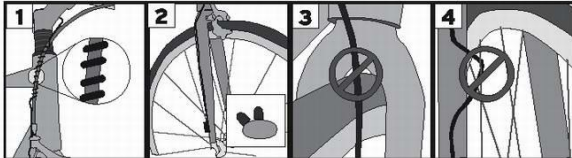
**INSTALL ON HANDLEBAR**



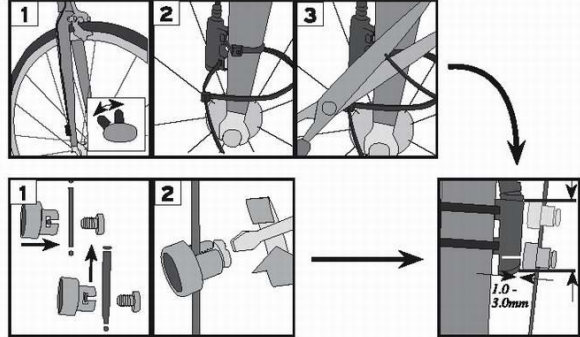
**INSTALL ON STEM**



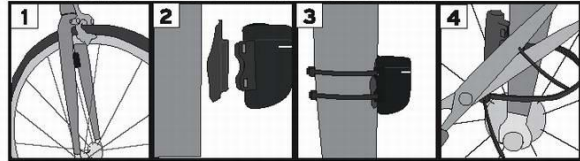
**ROUTE WIRE**



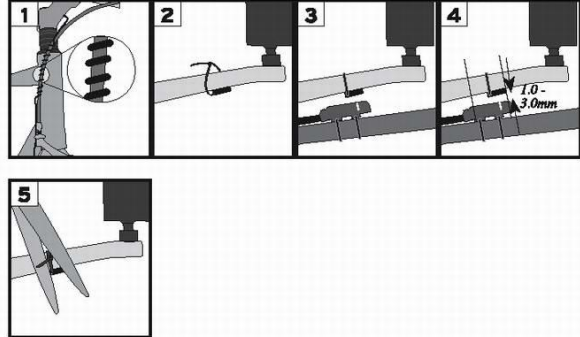
**ATTACH SENSOR AND MAGNET**



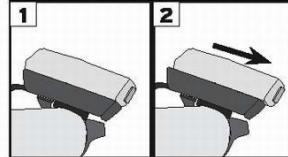
**ATTACH WIRELESS SENSOR**



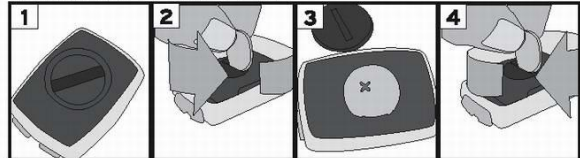
**ATTACH CADENCE SENSOR & MAGNET**



**REMOVE COMPUTER**



**CHANGE BATTERY**



TREK Installation Front 09.2004

TREK Installation Back 09.2004